



ATHLETE

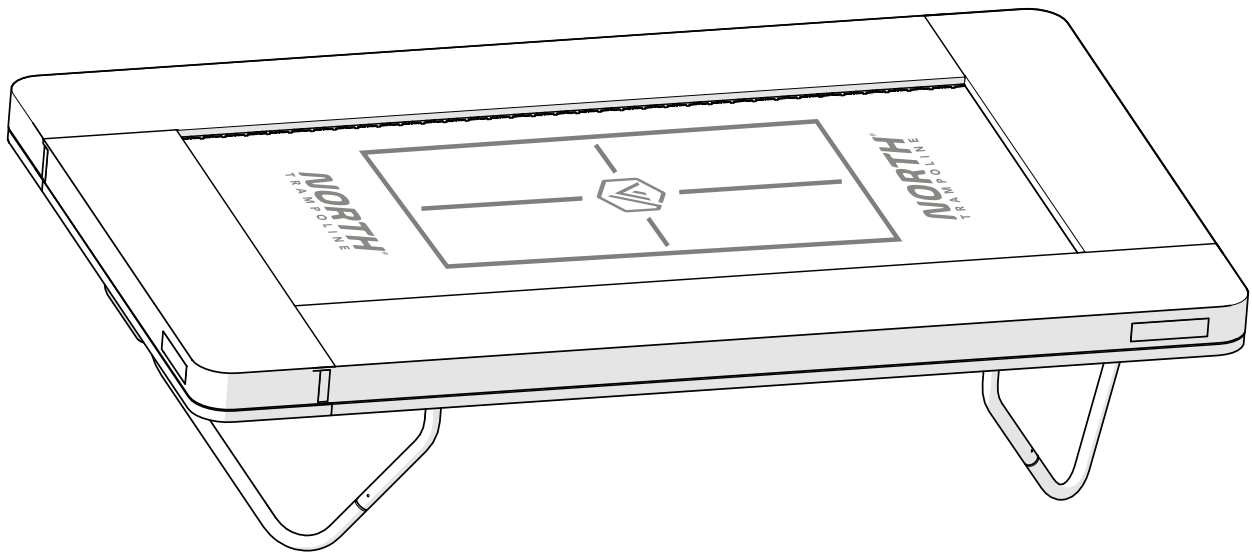
NTC515522-16 : 5,5 m x 3,4 m

ASSEMBLY MANUAL

This assembly manual contains instructions for the North Athlete trampoline.



NORTH ATHLETE



**This assembly manual contains important information.
Read carefully. Keep for future reference.**

All rights reserved 2021. Avero AB ©
All artwork and illustrations are owned by Avero AB, Sweden.
Copying or reusing them is prohibited by law.
For more information, contact us at info@northtrampoline.com



WARNING

This gymnastic equipment is designed to fulfil the requirements of EN13219:2008.

The equipment should only be used under the supervision of a competent person.

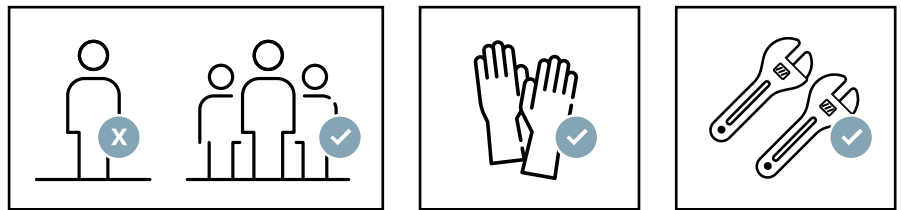
This trampoline is intended for one user.

For indoor and outdoor use.

ASSEMBLY INSTRUCTIONS

ASSEMBLY

The trampoline is to be assembled in accordance with the instruction manual by two or three persons. Use gloves to protect hands and fingers from injury during assembly.

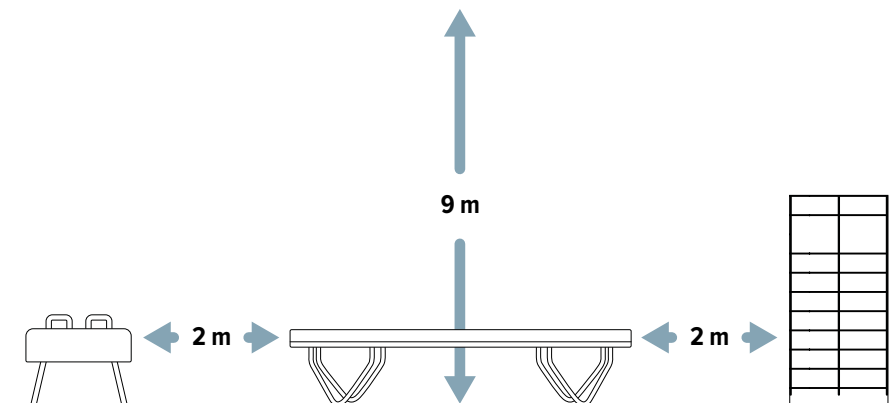


TRAMPOLINE PLACEMENT

Do not install the trampoline over concrete, asphalt, bricks or any other hard surfaces nor at proximity of other conflicting installations.

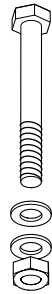
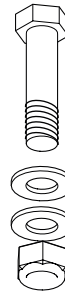
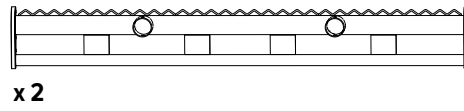
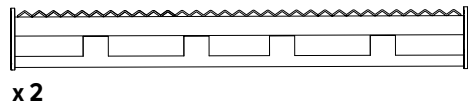
Install the trampoline on a level surface at least 2 m from any structure or obstruction.

Above the trampoline there must be a minimum of 9 m clear space from ground level and up.



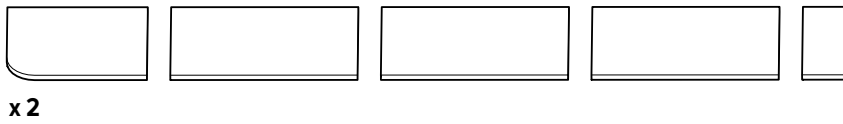
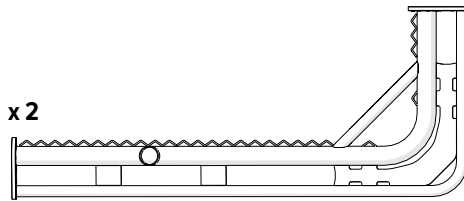
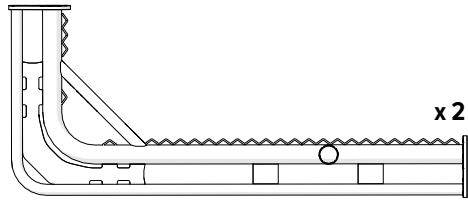
PARTS LIST

This is a parts list for your trampoline. If you find any piece missing please contact your local dealer.



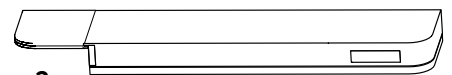
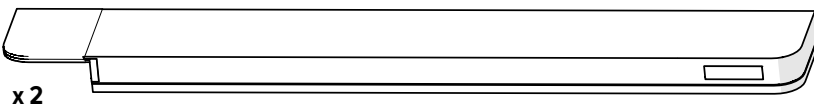
x64

x12



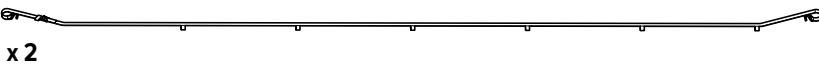
x2

x2



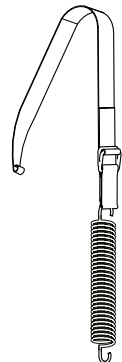
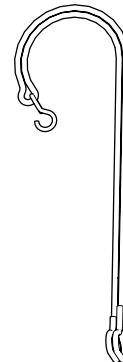
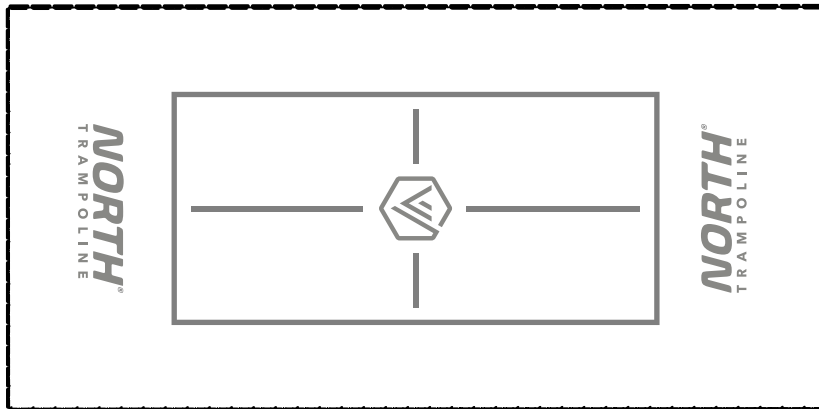
x2

x2



x2

x2

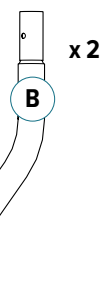
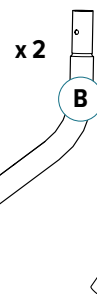
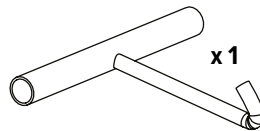
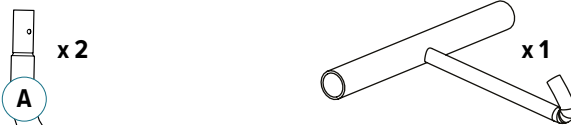
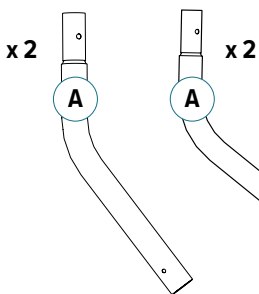


x112

x14

x8

x1



x2

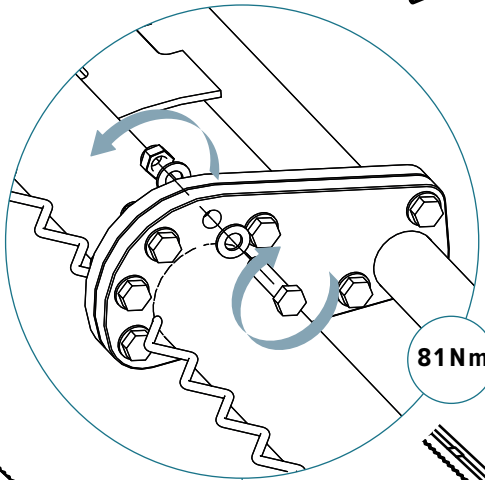
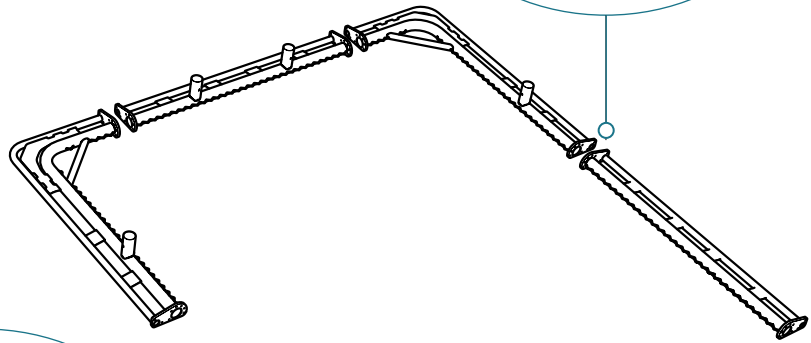
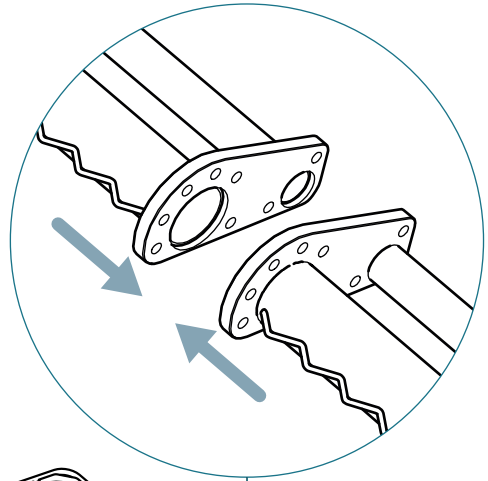
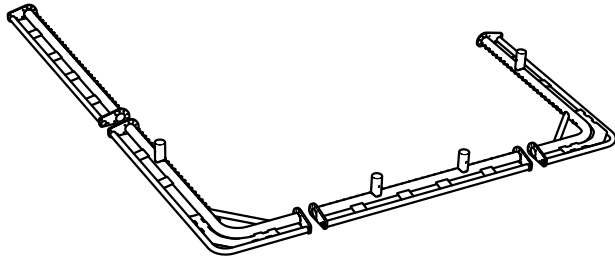
x2

x1

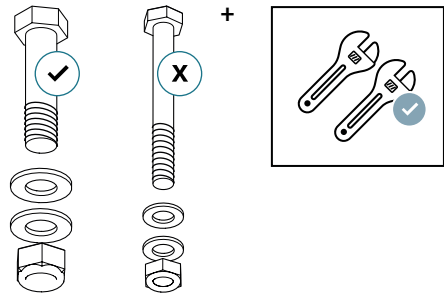
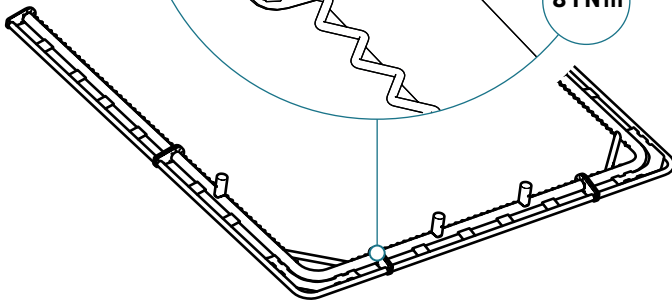
x2

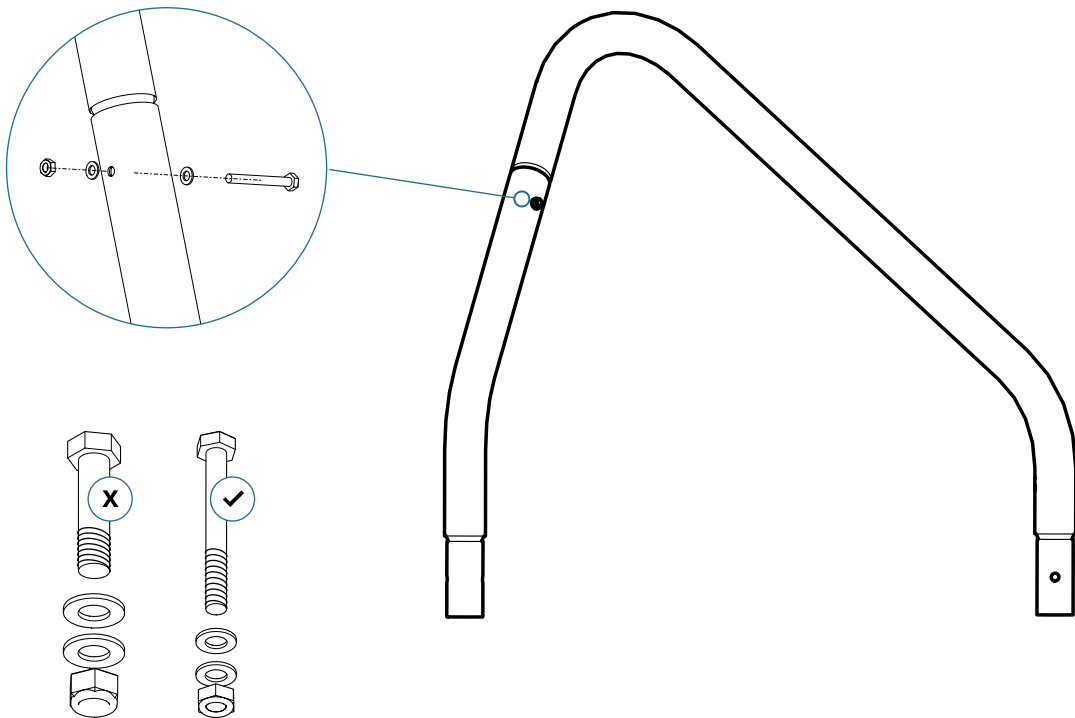
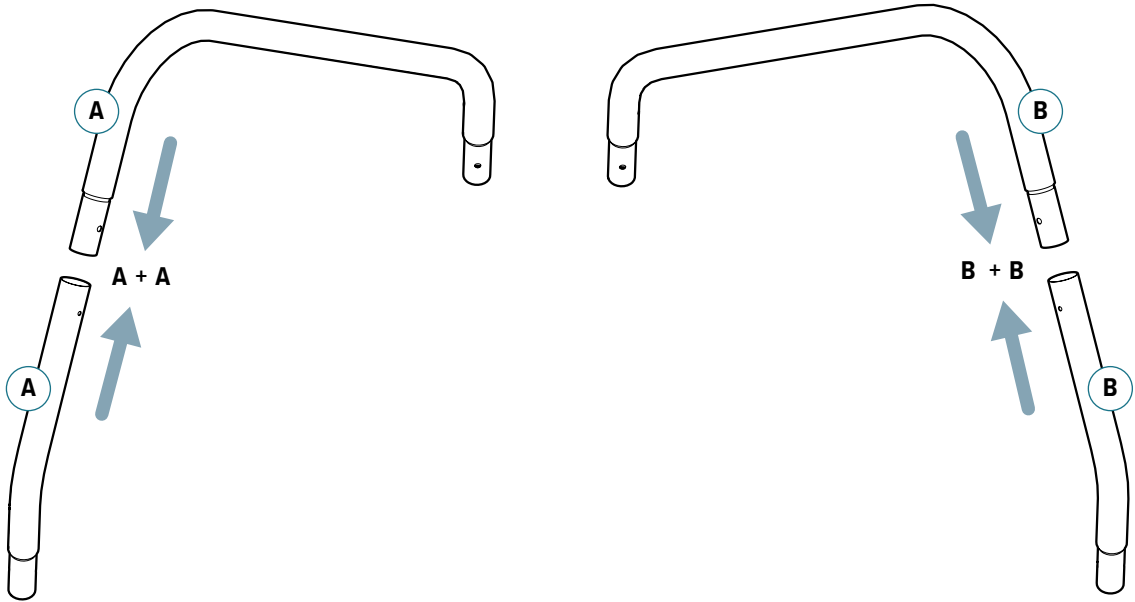
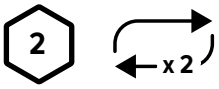
x2

1

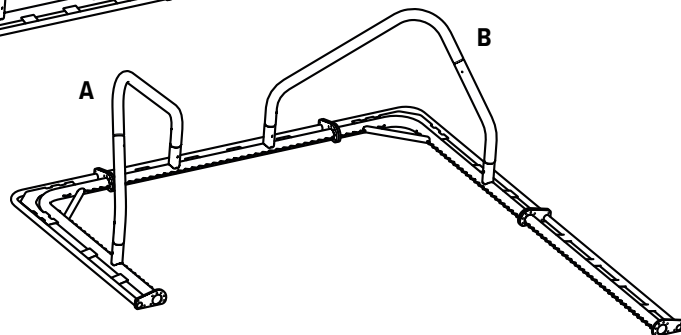
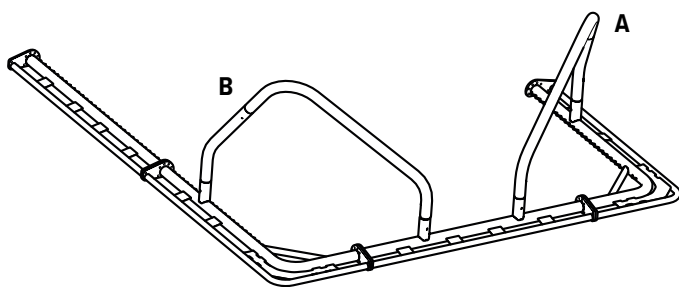
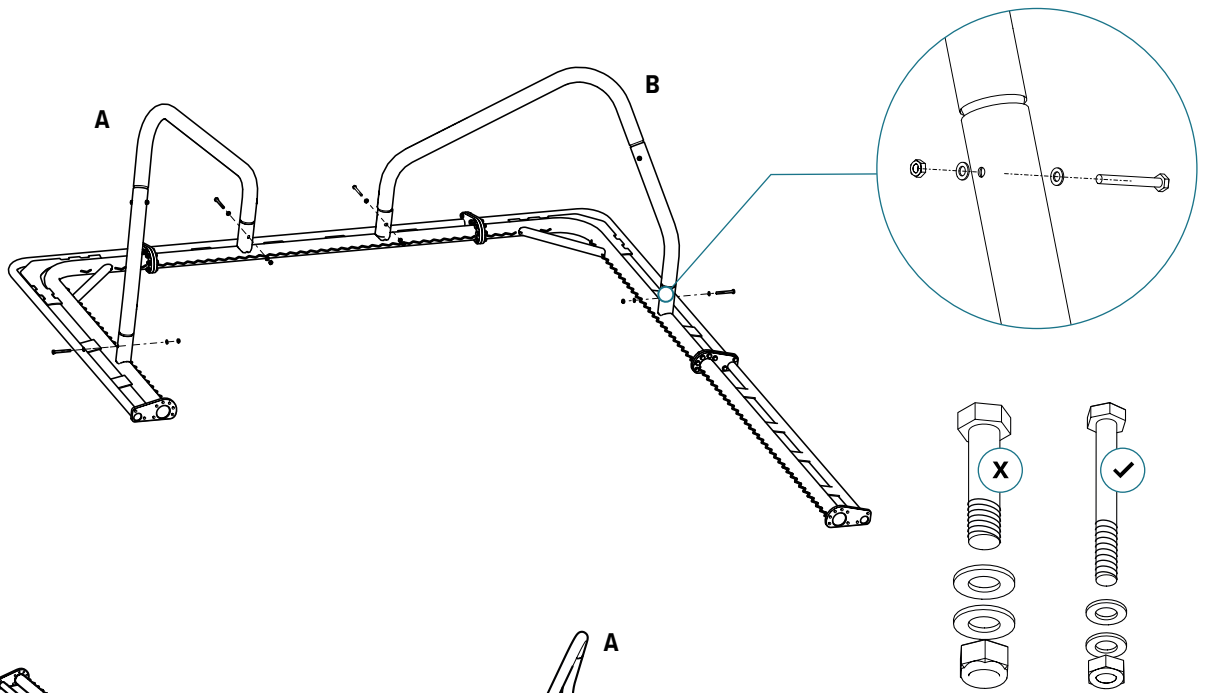
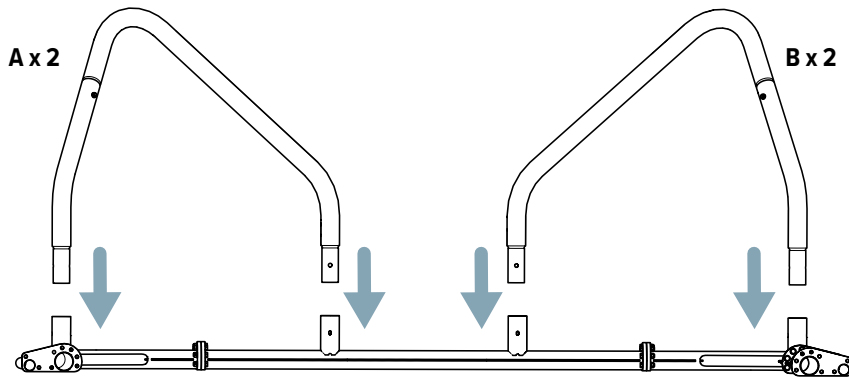


81Nm

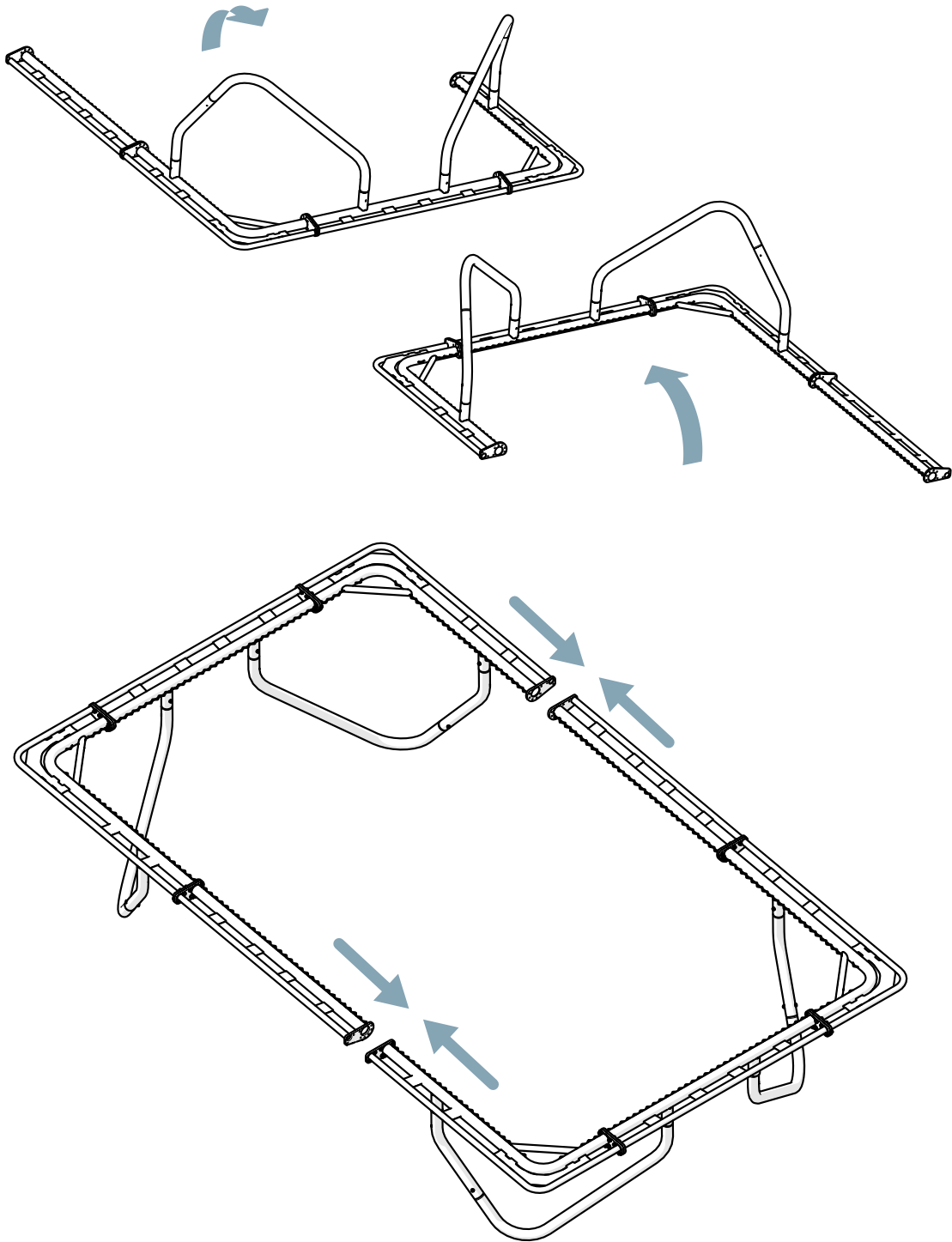
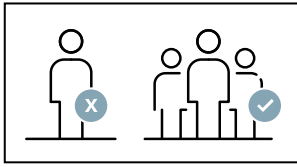


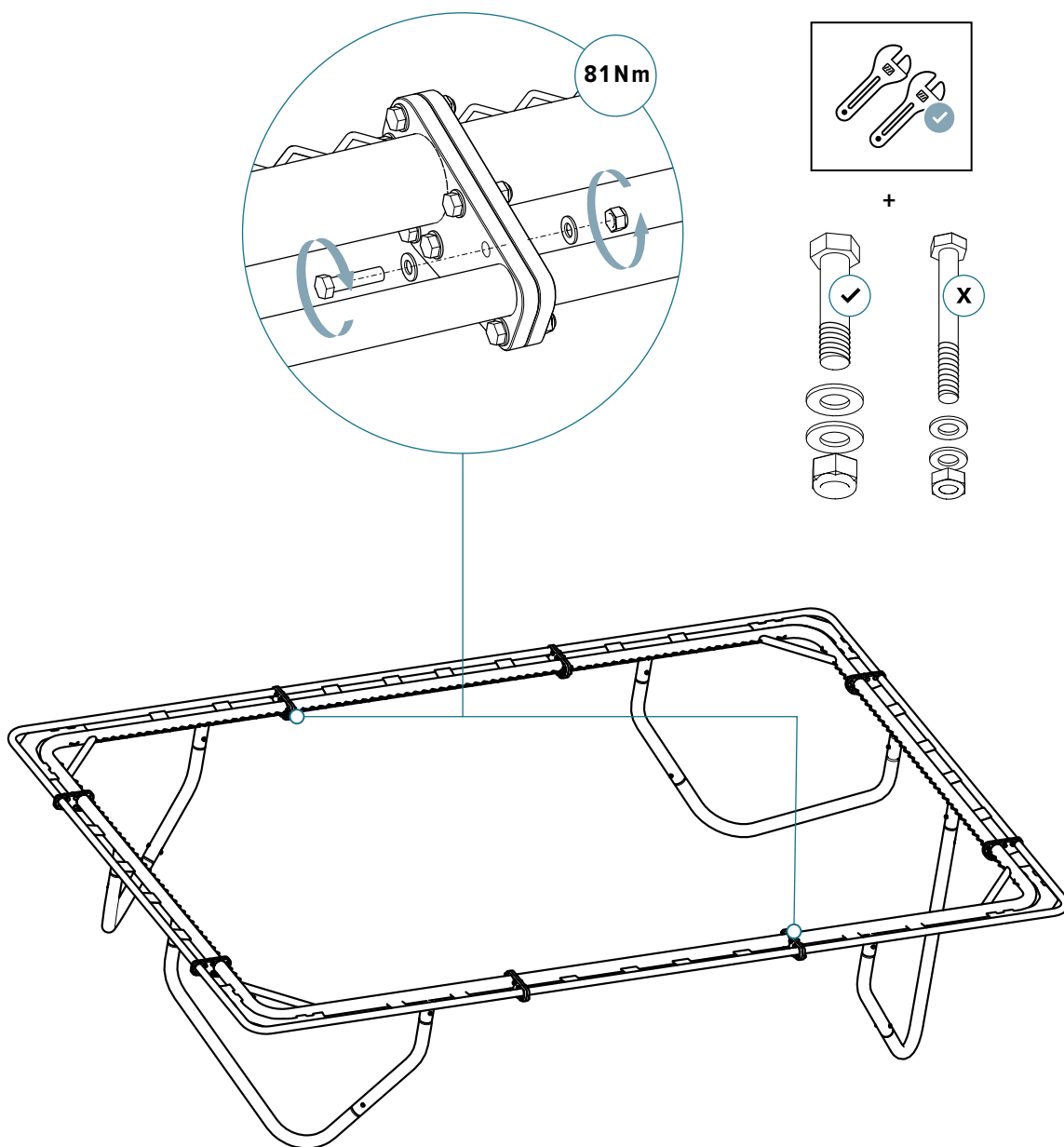


3

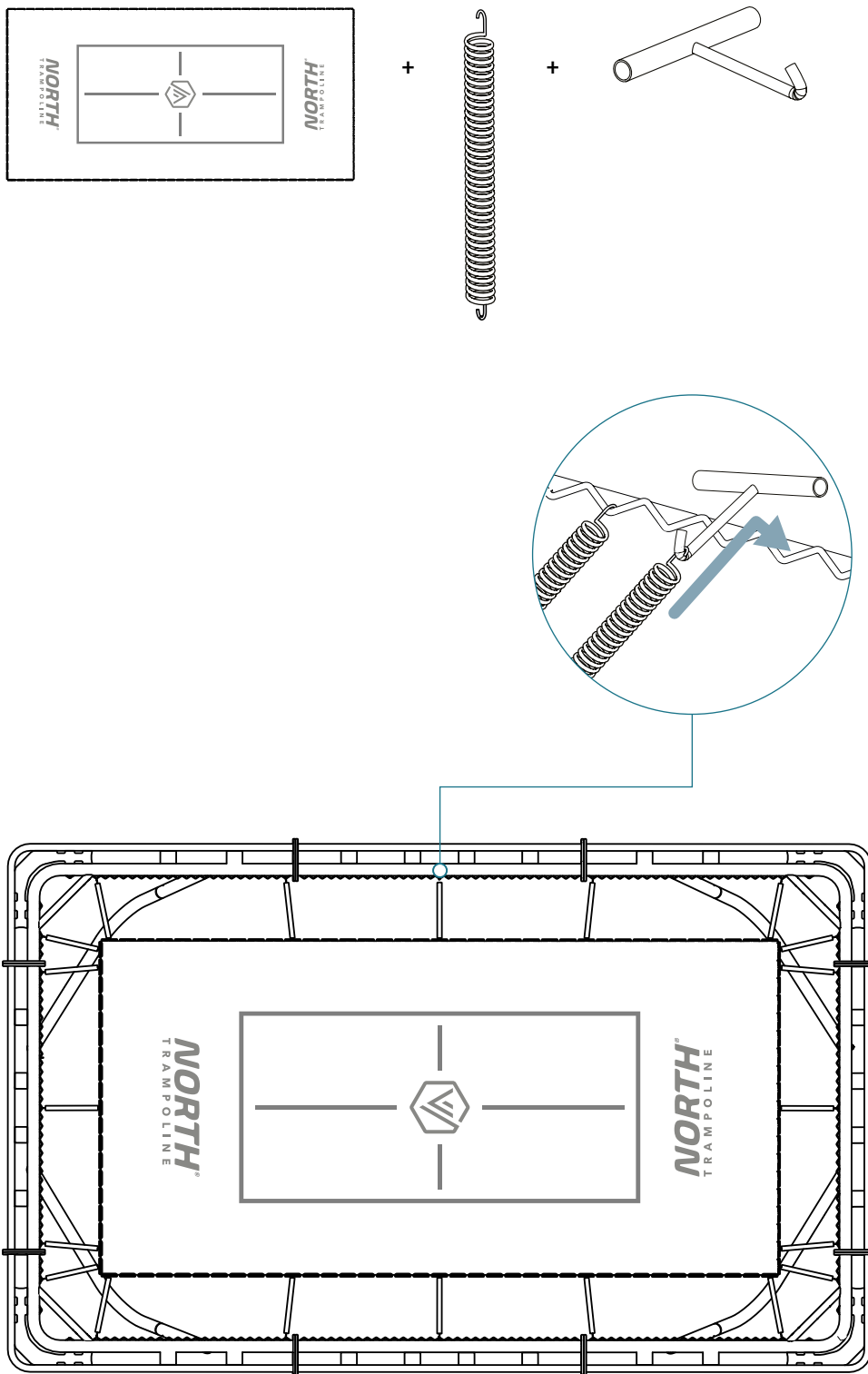


4





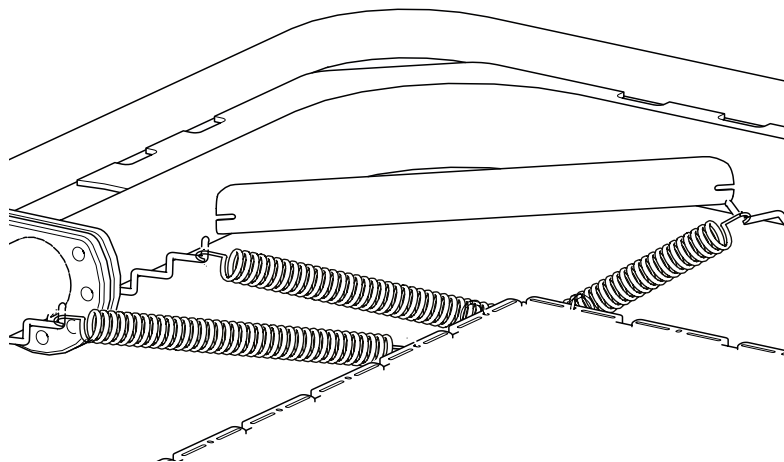
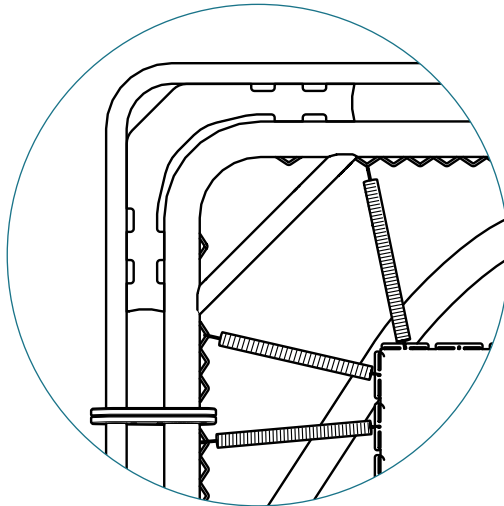
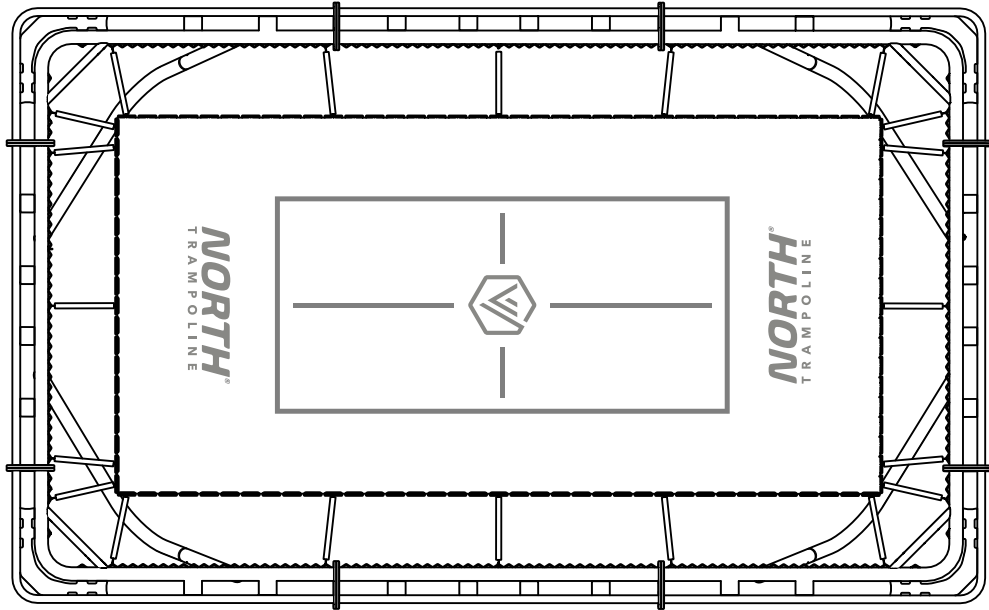
5

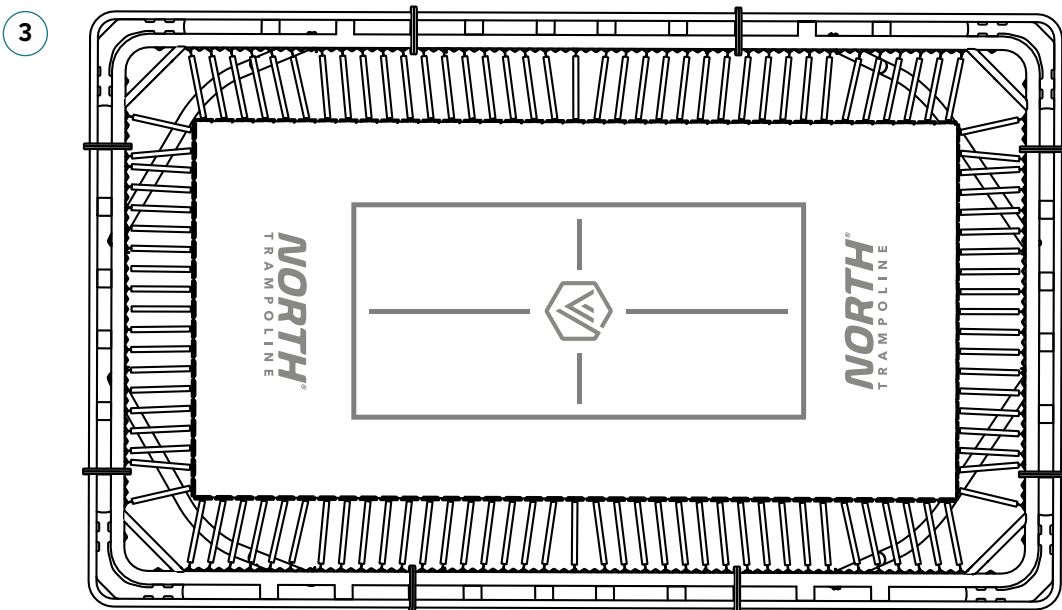
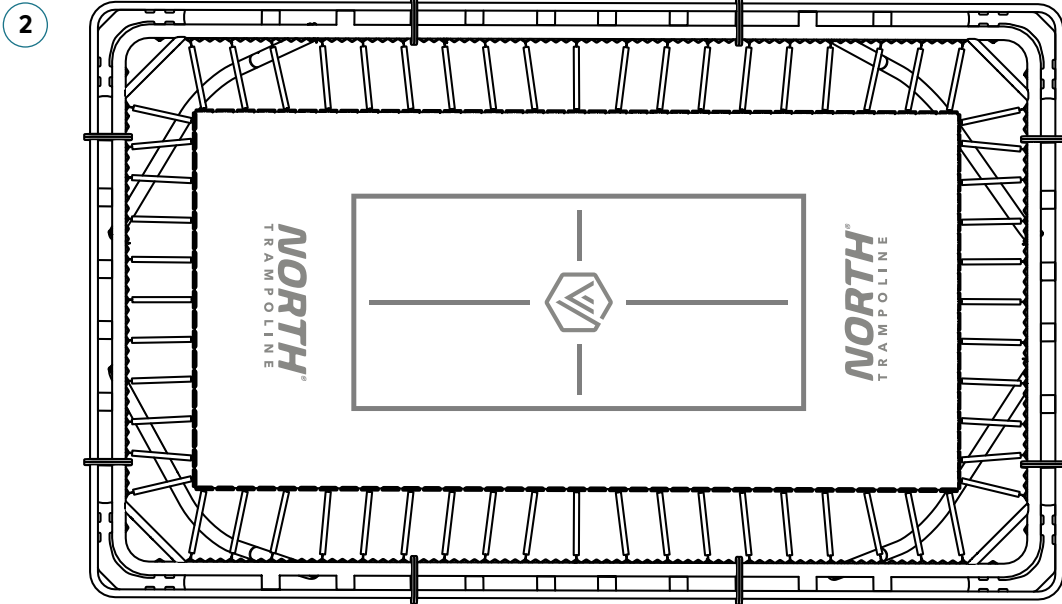




x112

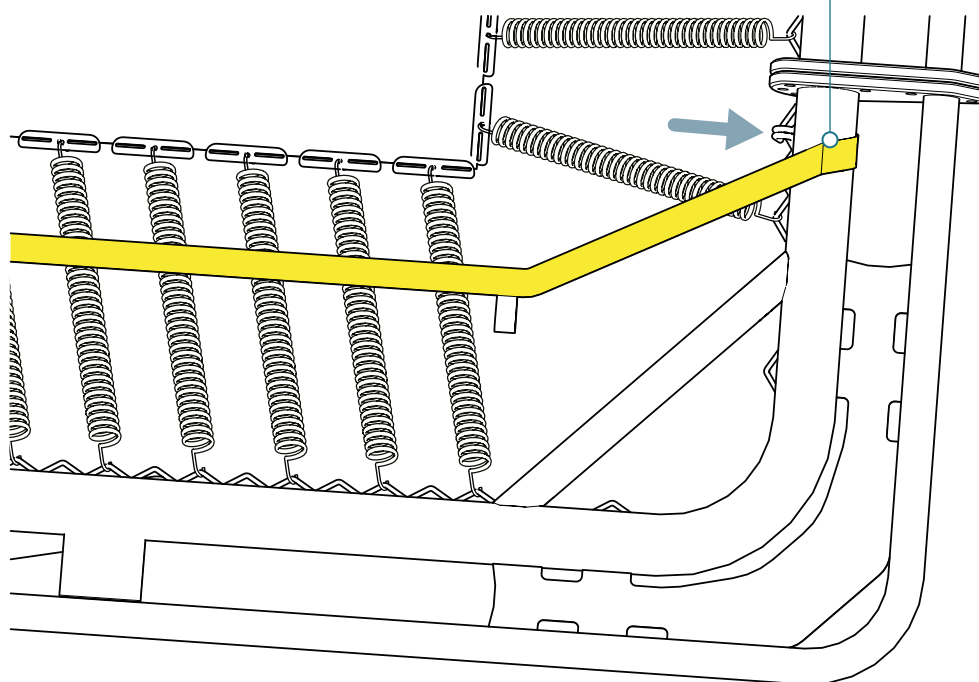
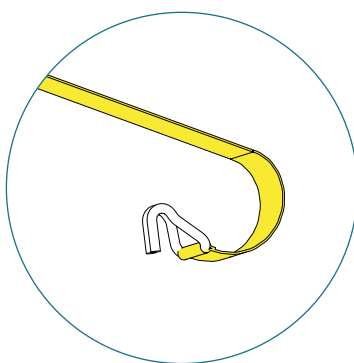
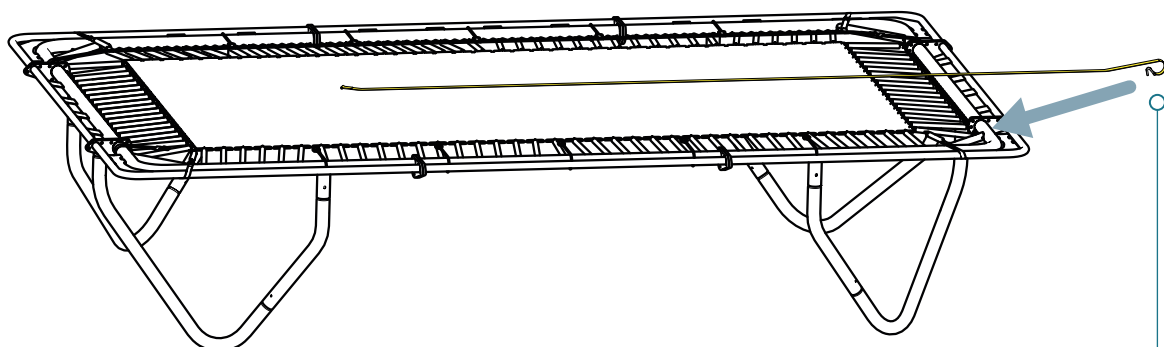
1

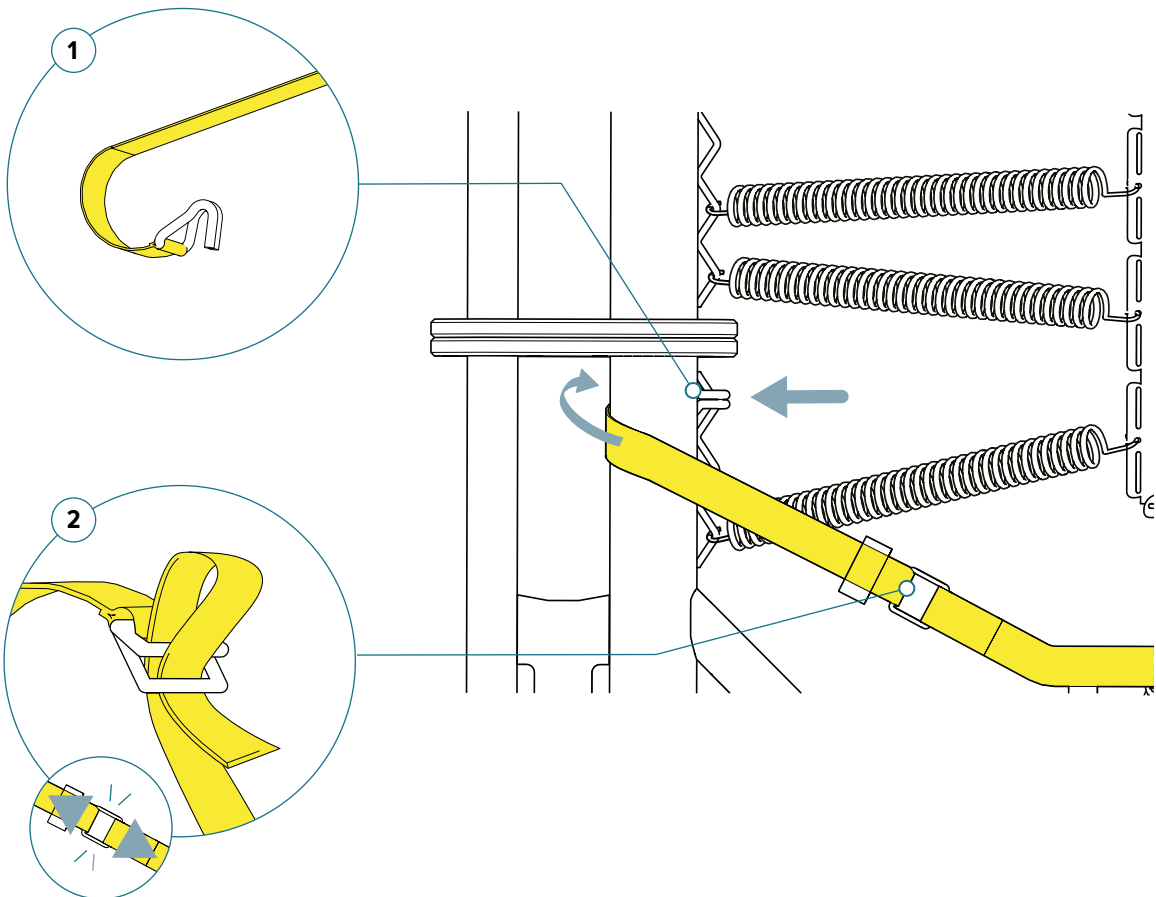
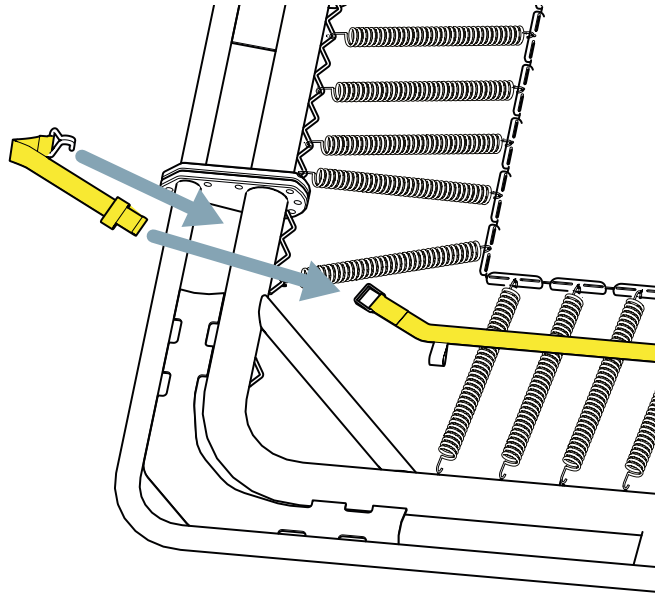


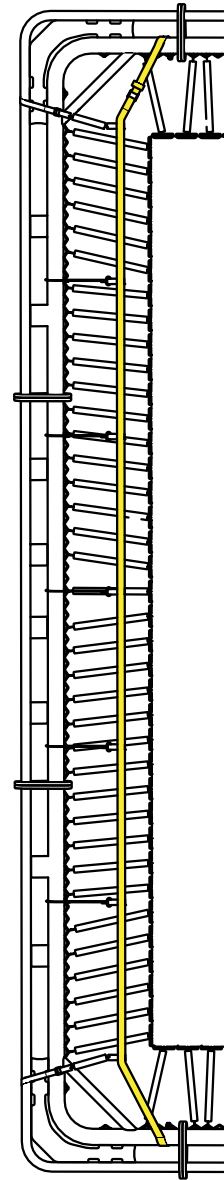
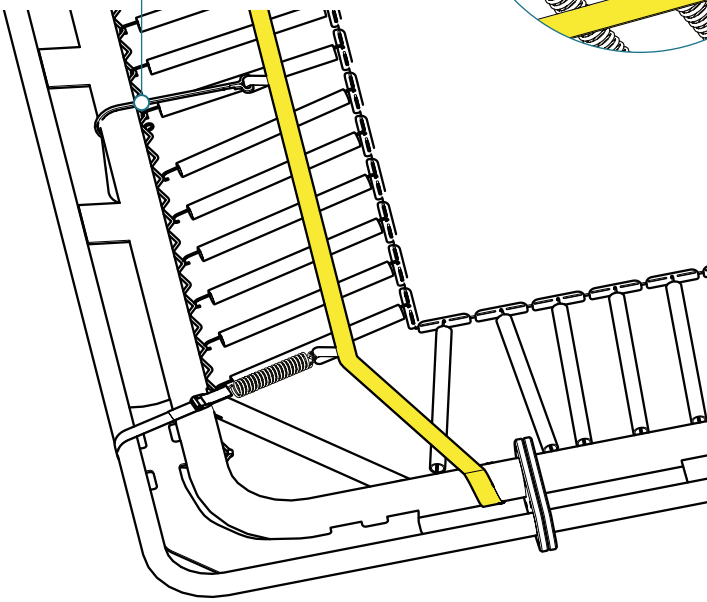
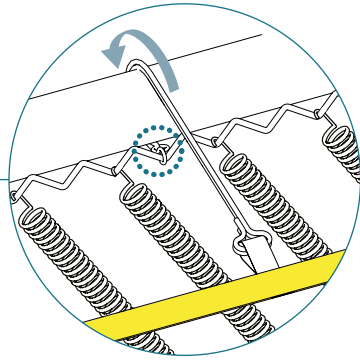
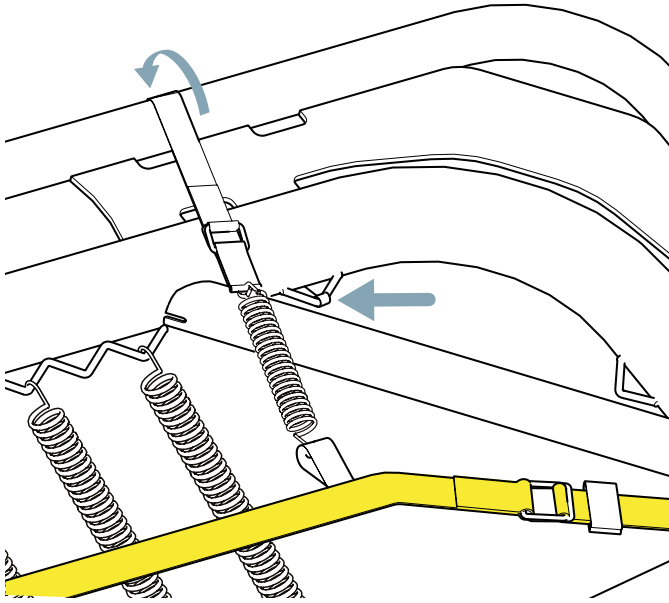


6

←x2

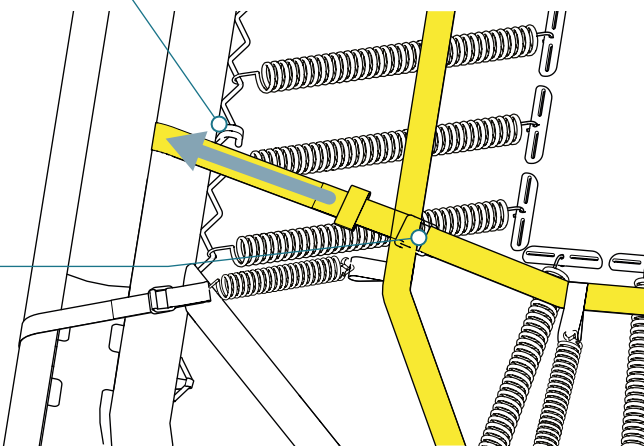
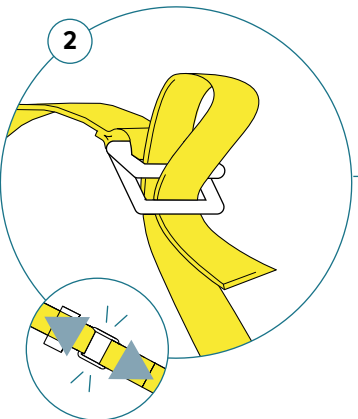
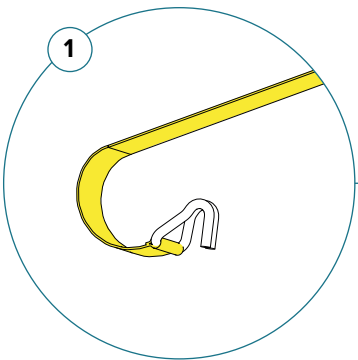
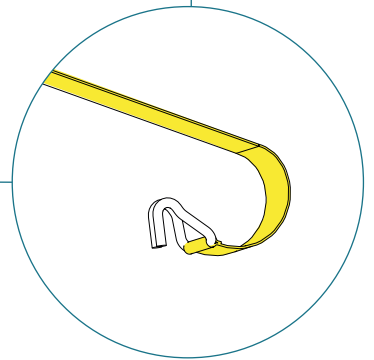
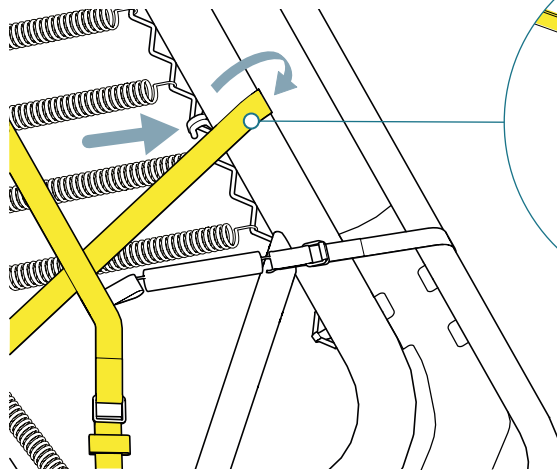
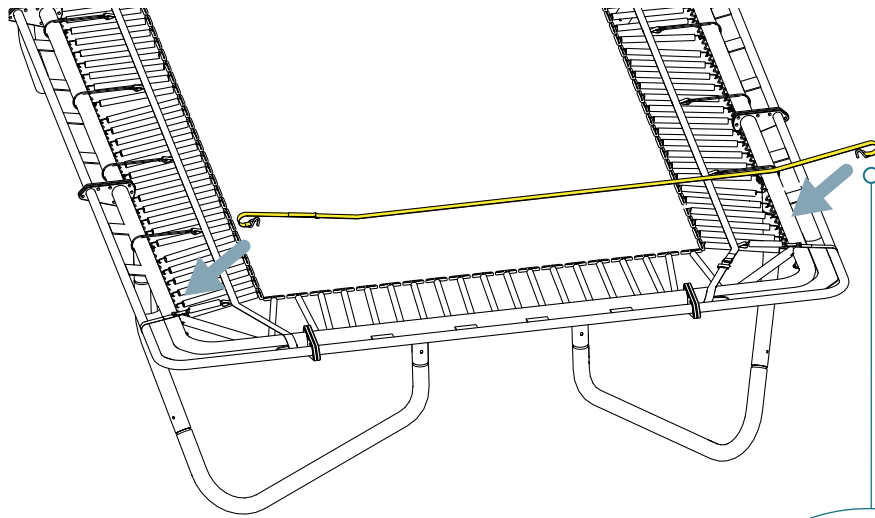


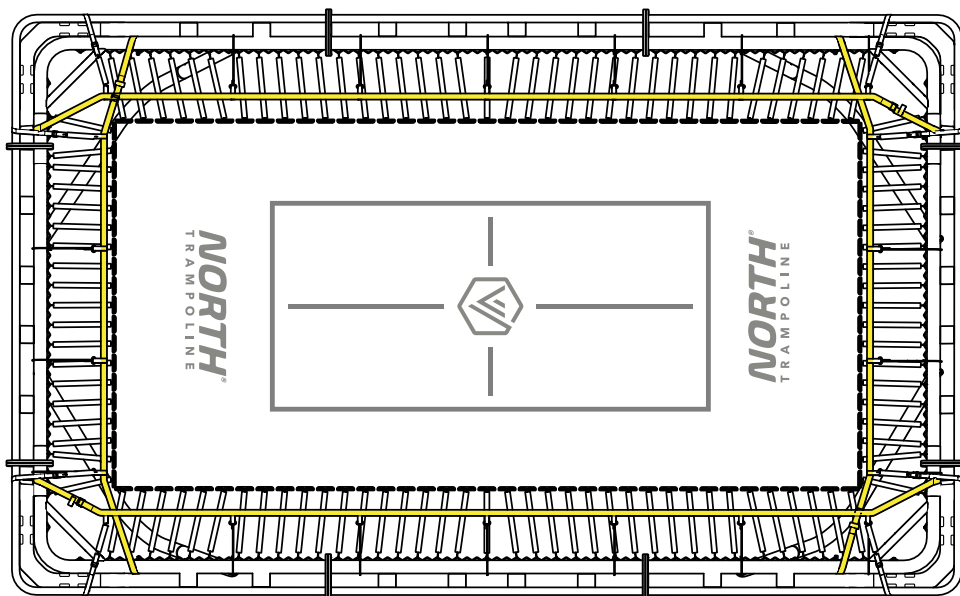
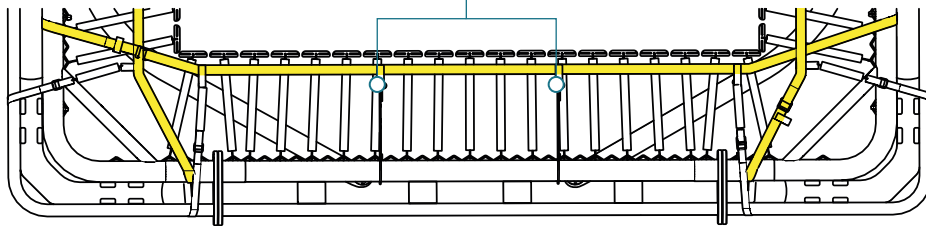
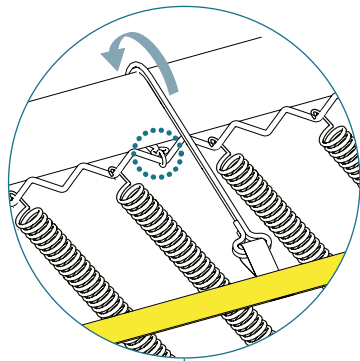
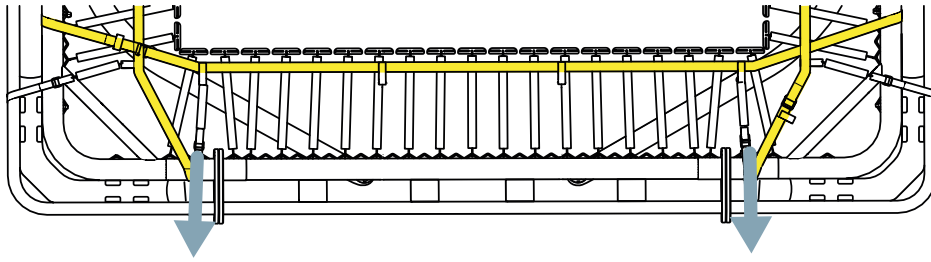




7

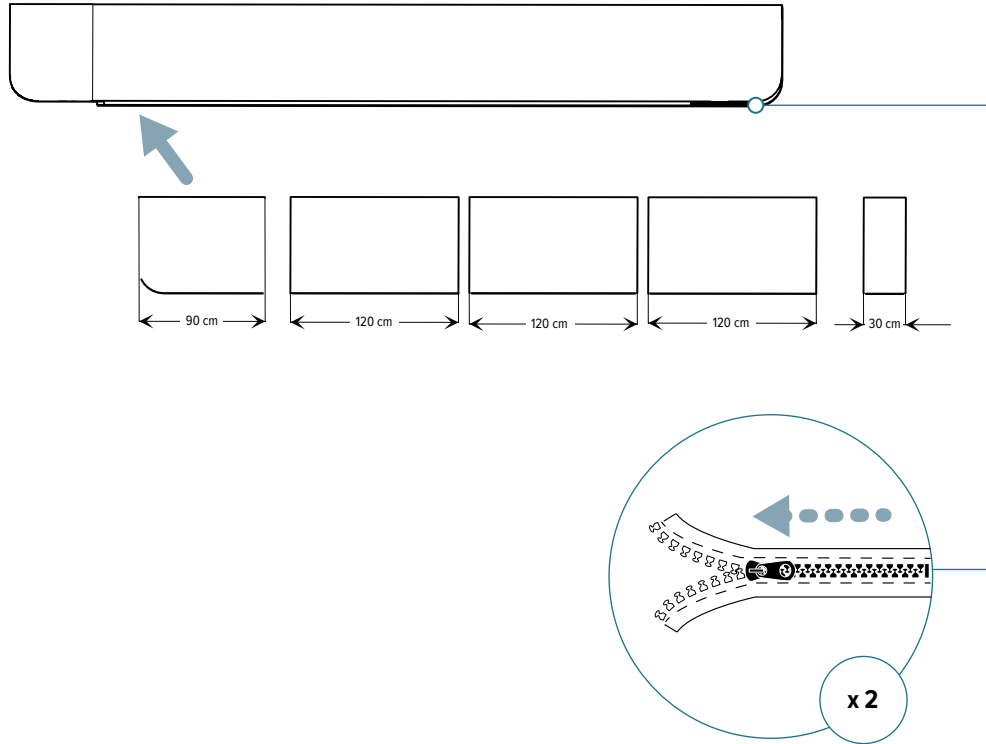
←x2



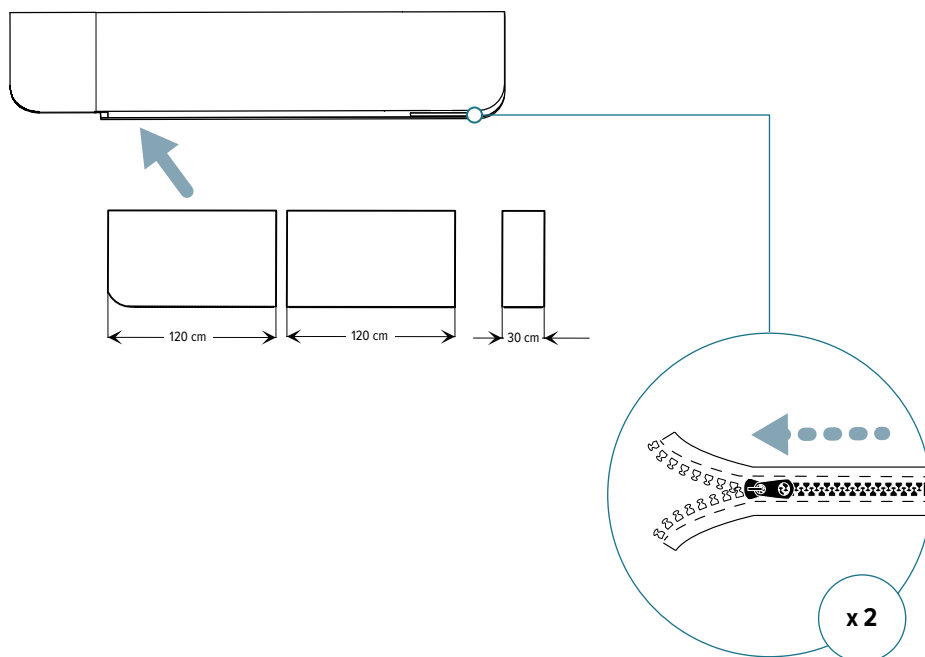


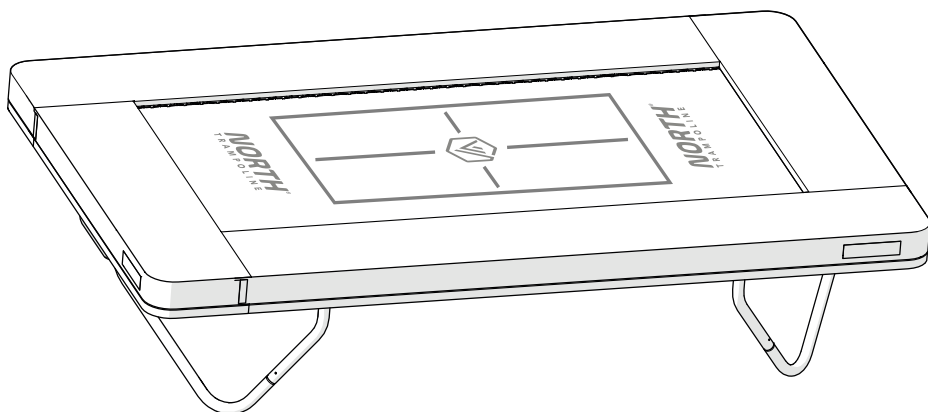
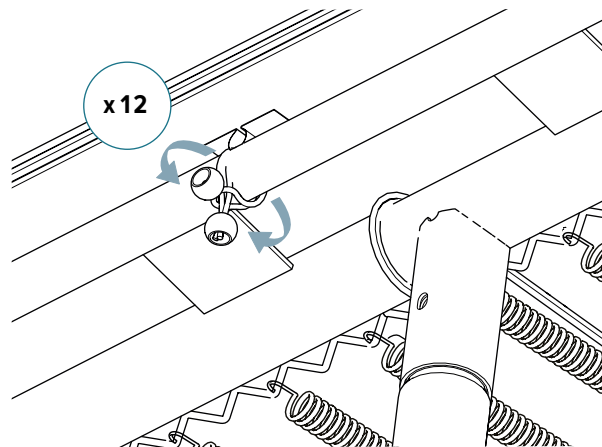
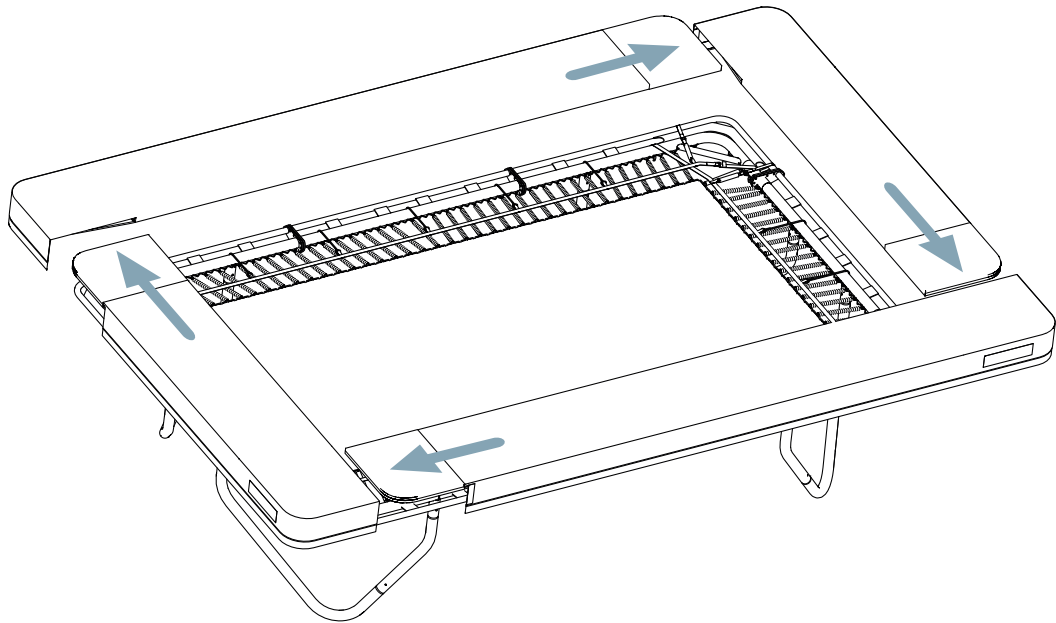
8

x 2



x 2





CARE & MAINTENANCE

INSPECTION

Inspect the trampoline before each use and make sure that all parts are correctly fitted together.

On regular basis make sure to inspect the condition of:

- The frame parts, screws and nut joints.
- The foam pad (fabric, stitching, attachments to the frame).
- The jump mat (no tears or small holes, the stitching and material in the spring attachment areas.)
- The springs.

Note that sunlight, rain, snow and extreme temperatures reduce the strength of these parts over time. If the above checks are not carried out the trampoline could become dangerous. Make sure to replace defective or missing parts.

To order original North Trampoline spare parts, please contact your local dealer. If any parts of the trampoline are exchanged or updated they should be installed according to the assembly manual of the trampoline. The new or added parts may have their own instructions for attachment and correct installation. Be sure to carefully follow these instructions and apply them accordingly.

Check all coverings of bolts for sharp edges and replace them if necessary. If self locking nuts are used it should be noted that these are suitable for only one assembly and must be replaced for reassembly.

CLEANING

When cleaning the jump mat be sure to first remove the debris with a broom. Use a garden hose and cold water to clean any remaining dirt. The padding can be wiped with mild detergent to remove dirt from seams and pockets. Make sure to clean the padding from any detergent residue. The trampoline can dry naturally in the sun.

STORAGE

During winter season the soft parts of the trampoline such as the foam pad should be kept in room temperature and away from moisture. To avoid mold make sure to dry the soft parts thoroughly before storage. Preferably, all metal parts should be stored inside for longer durability.

In strong wind conditions always remove the jump mat. This prevents the trampoline from moving or flipping and further keeps your trampoline from damage.

To disassemble the trampoline, follow the assembly manual in reverse. Use gloves to protect your hands from injury during disassembly.

Retain these instructions for continued care and maintenance.



CONTACT

North Trampoline
Rullagergatan 9
415 05 Gothenburg
Sweden

ONLINE

info@northtrampoline.com
www.northtrampoline.com